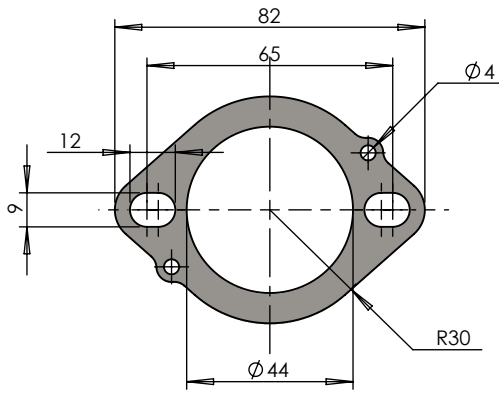
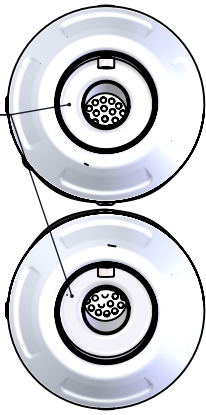
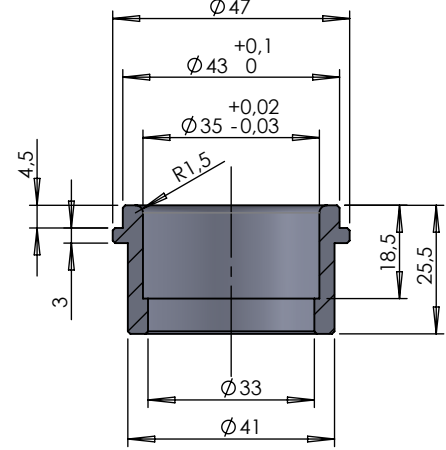


N°2 Db-Killer Ø22
Cod. 303430803

View from "A"



Flange 112A



View from "B"

Inferior silencer
GP duals Øi 50
Cod.3015108482

Superior silencer
GP duals Øi 50
Cod.3015110481

Silencer bracket-
Stainless steel
Purch.Cod. 206337
Prod. Cod.3015101501

N°2 Graphyte
Gasket Cod.204980

2 Allen screw
M8 x 30 Cod. 202491

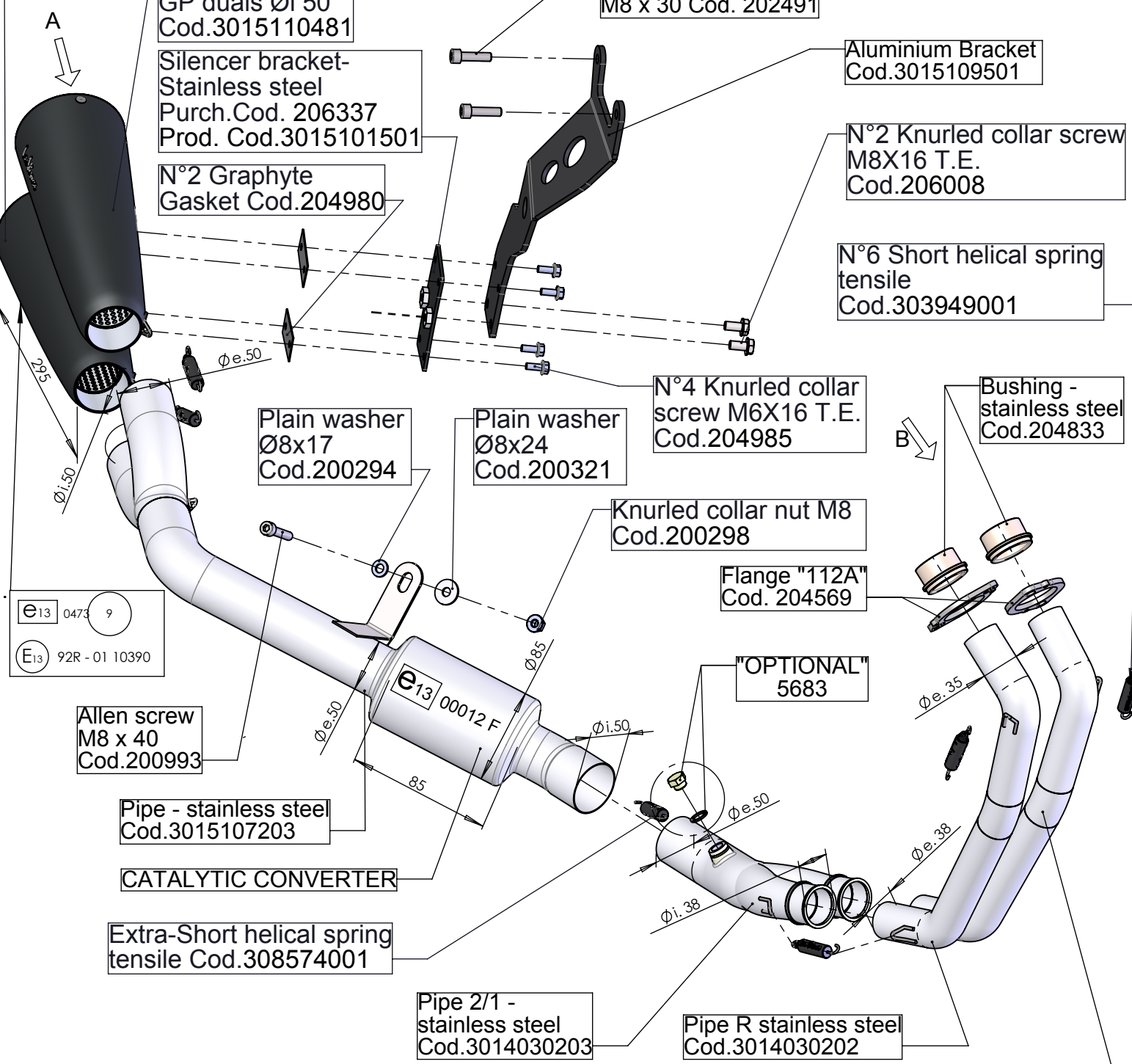
Aluminium Bracket
Cod.3015109501

N°2 Knurled collar screw
M8X16 T.E.
Cod.206008

N°6 Short helical spring
tensile
Cod.303949001

A

B



Plain washer
Ø8x17
Cod.200294

Plain washer
Ø8x24
Cod.200321

N°4 Knurled collar
screw M6X16 T.E.
Cod.204985

Bushing -
stainless steel
Cod.204833

Knurled collar nut M8
Cod.200298

Flange "112A"
Cod. 204569

"OPTIONAL"
5683

E13 0473 9
E13 92R-01 10390

Allen screw
M8 x 40
Cod.200993

Pipe - stainless steel
Cod.3015107203

CATALYTIC CONVERTER

Extra-Short helical spring
tensile Cod.308574001

Pipe 2/1 -
stainless steel
Cod.3014030203

Pipe R stainless steel
Cod.3014030202

Pipe L stainless steel
Cod.3014030201

Art. 15109K YAMAHA XSR700

Full System 2/1 SBK "GP DUALS" - APPROVED