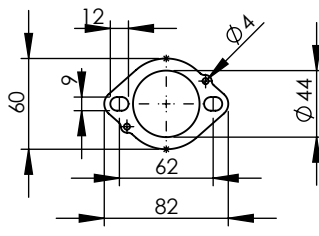
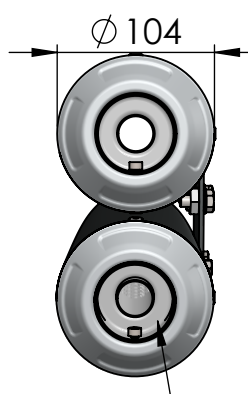


**S.s bushing**  
cod.204833



**S.s Flange 112A**  
cod.204569 Sp.5mm



**2X Db-Killer ø22**  
Cod.303430803

**S.s. black bracket**  
Purch.Cod. 206352  
Prod. Cod.3015109501

**S.s. black bracket**  
Purch.Cod. 206337  
Prod. Cod.3015101501

**2x Graphite Gasket**  
Cod.204980

**4x Knurled collar screw M6X16 T.E**  
Cod.204985

**2x Knurled collar screw M8X16 T.E**  
Cod.206008

**7x Short helical spring tensile**  
cod. 303949001

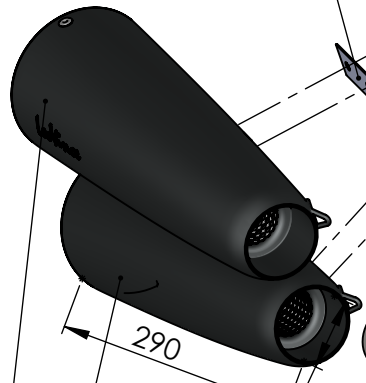
**2x Plain washer**  
Ø8xØ 24  
Cod.200321

**2x S.s. bushing**  
cod.204833

**2x S.s. flange**  
cod.204569

**S.s. bracket**  
cod.303268501

**Knurled collar nut**  
M8 Cod.200298



**GP DUALS silencer inferior**  
Cod.3015108482

**GP DUALS silencer superior**  
Cod.3015110481

**Pipe s.s.**  
cod. 3015128205

**Pipe s.s.**  
cod. 3015128201

**2x Allen screw M8X16**  
Cod.200360

**OPTIONAL**  
cod.5683

**Pipe s.s. RH**  
cod. 3014349202

**Pipe s.s. LH**  
cod. 3014349201

**Rubber black clamp**  
cod.402489

**ART. 15128**

**YAMAHA XSR 700 / XTRIBUTE**  
(also fits 35 kW version)

**FULL SYSTEM - GP DUALS - STAINLESS STEEL**