



Yuasa Technical Data Sheet

Yuasa TTZ10S - Maintenance Free Battery

Performance

Voltage	12V
Capacity (10-hour)	8.6Ah
Capacity (20-hour)	9.1Ah
CCA @ -18°C	190A

Dimensions ($\pm 2\text{mm}$)

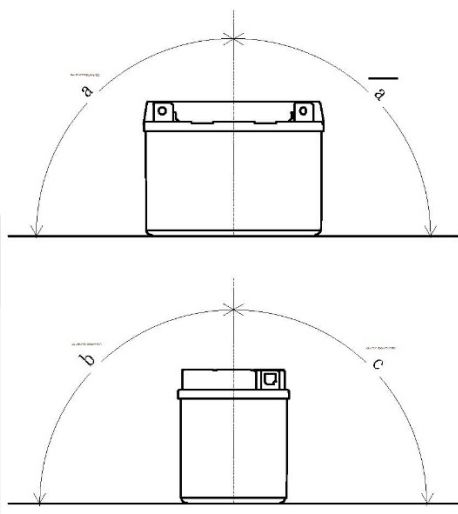
Length	150mm
Width	87mm
Height	93mm

Weights & Measures

Mean Weight with Acid	3.2kg
Acid Volume	0.4l

Mounting Angle

Angle A	30°
Angle B	20°
Angle C	20°

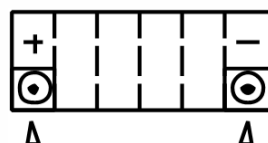


Technology

Technology
Separator

Cast Ca/Ca
AGM

Cell Assembly Layout



Data Sheet generated on 12/12/2016 - E&OE